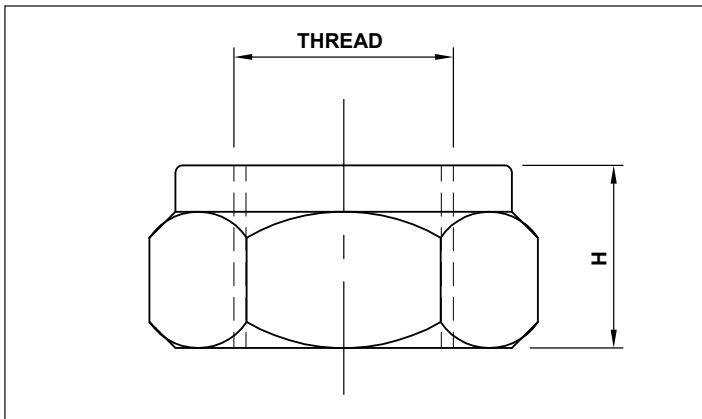
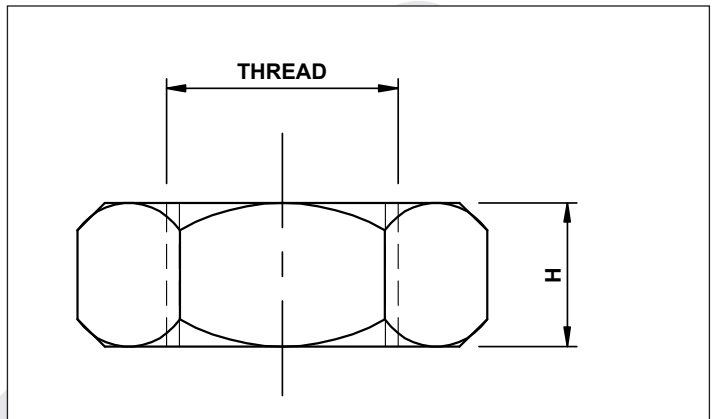
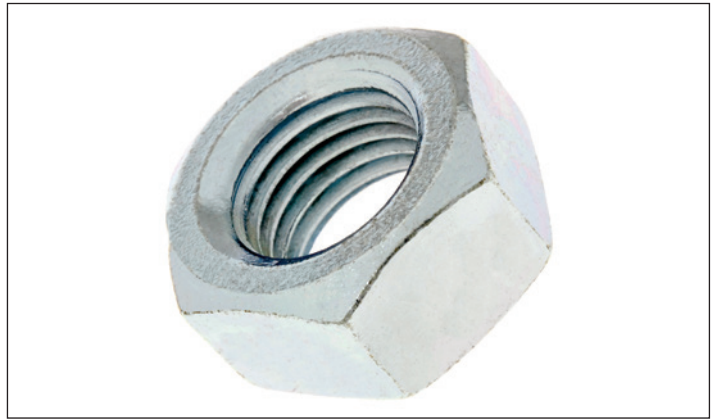


## NYLOCK NUTS



NYLOCK NUT	THREAD SIZE	HEIGHT H
NN	10	11

## HEXAGON HALF / LOCK NUTS



LOCK NUT	THREAD SIZE	HEIGHT H
LN	5	3

PART NUMBER	THREAD	HEIGHT
NN1011	10 x 1.25	11.5
NN1011-1.5	10 x 1.5	11.5
NN1214	12 x 1.5	14
NN1414	14 x 1.5	14
NN1416	14 x 1.5	16
NN1618	16 x 1.5	18
NN1820	18 x 1.5	20
NN2017	20 x 1.5	17
NN2023	20 x 1.5	23
NN2225	22 x 1.5	25
NN2424	24 x 2	24
NN2427	24 x 2	27
NN2723	27 x 2	23
NN2727	27 x 2	27
NN2730	27 x 2	30
NN3025	30 x 2	25
NN3030	30 x 2	30
NN3335	33 x 2	35
NN3942	39 x 3	42
NN4852	48 x 3	52

PART NUMBER	THREAD	HEIGHT
LN0503	5 x 0.8	3
LN0603	6 x 1	3
LN0804	8 x 1.25	4
LN1005	10 x 1.5	5
LN1206-1.5	12 x 1.5	6
LN1206	12 x 1.75	6
LN1408	14 x 2	8
LN1608-1.5	16 x 1.5	8
LN1608	16 x 2	8
LN1809	18 x 1.5	9
LN2008	20 x 1.5	8
LN2211	22 x 1.5	11
LN2410	24 x 2	10
LN2712	27 x 2	12
LN3012	30 x 2	12
LN3314	33 x 2	14
LN3614	36 x 3	14
LN3629	36 x 2	29
LN3916	39 x 3	16
LN4216	42 x 3	16
LN4518	45 x 3	18
LN5220	52 x 3	20
LN5622	56 x 4	22

SPECIFICATION: ISO METRIC COARSE AND FINE THREAD. DIN489 & UNI 5589-65