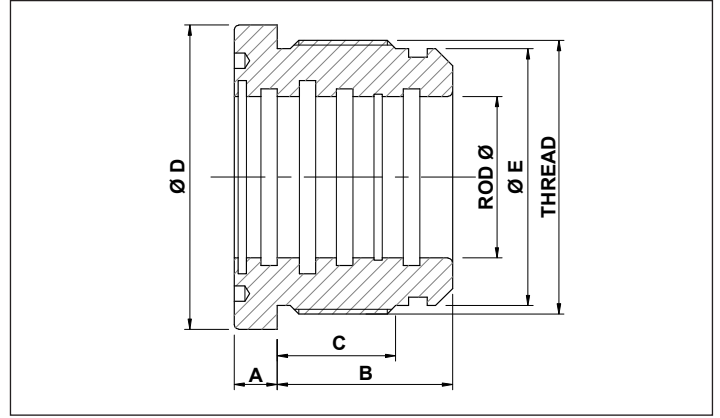


LARGE GLANDS

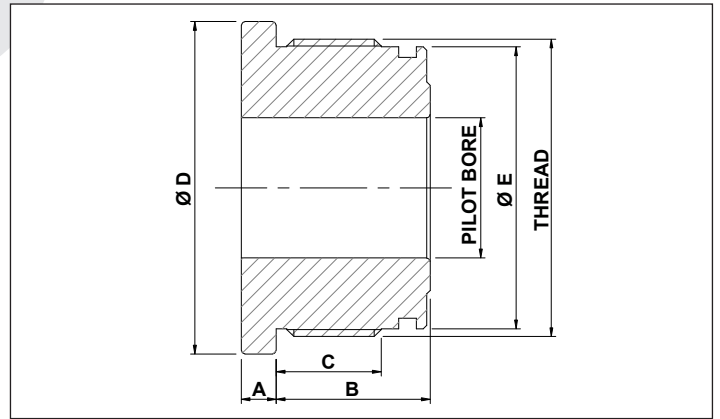


STANDARD GLAND SG	CYLINDER BORE 180	ROD DIAMETER 80	LENGTH OF B 92						
----------------------	----------------------	--------------------	-------------------	--	--	--	--	--	--

PART NUMBER	CYLINDER BORE	ROD Ø	A	B	C	Ø D	Ø E	THREAD	SEAL KIT
SG1808092	180	80	18	92	58	209	180.6	188 x 2.5	GK80-180
SG1809092	180	90	18	92	58	209	180.6	188 x 2.5	GK90-180
SG18010092	180	100	18	92	58	209	180.6	188 x 2.5	GK100-180
SG18012092	180	120	18	92	58	209	180.6	188 x 2.5	GK120-180
SG2009092	200	90	18	92	58	219	200.6	208 x 2.5	GK90-200
SG20010092	200	100	18	92	58	219	200.6	208 x 2.5	GK100-200
SG20012092	200	120	18	92	58	219	200.6	208 x 2.5	GK120-200
SG20014092	200	140	18	92	58	219	200.6	208 x 2.5	GK140-200
SG220100104	220	100	18	104	70	249	220.6	228 x 2.5	GK100-220
SG220110104	220	110	18	104	70	249	220.6	228 x 2.5	GK110-220
SG220120104	220	120	18	104	70	249	220.6	228 x 2.5	GK120-220
SG220150104	220	150	18	104	70	249	220.6	228 x 2.5	GK150-220
SG220160104	220	160	18	104	70	249	220.6	228 x 2.5	GK160-220
SG250120117	250	120	18	117	80	268	250.6	258 x 2.5	GK120-250
SG250150117	250	150	18	117	80	268	250.6	258 x 2.5	GK150-250

MATERIAL: HYDRAULIC CAST IRON GRADE G25
MAXIMUM WORKING PRESSURE 300 BAR

PILOT BORE GLANDS



STANDARD GLAND SG	CYLINDER BORE 160	PILOT BORE 000	LENGTH OF B 90						
----------------------	----------------------	-------------------	-------------------	--	--	--	--	--	--

PART NUMBER	CYLINDER BORE	PILOT BORE	A	B	C	Ø D	Ø E	THREAD
SG16000090-PILOT	160	PILOT 30mm	12	90	69	180	160	165 x 2
SG18000092-PILOT	180	PILOT 50mm	18	92	58	210	180	188 x 2.5
SG20000092-PILOT	200	PILOT 50mm	18	92	58	218	200	208 x 2.5
SG220000117-PILOT	220	PILOT 50mm	18	117	80	237	220	228 x 2.5
SG250000117-PILOT	250	PILOT 50mm	18	117	80	268	250	258 x 2.5

MATERIAL: HYDRAULIC CAST IRON GRADE G25
MAXIMUM WORKING PRESSURE 300 BAR