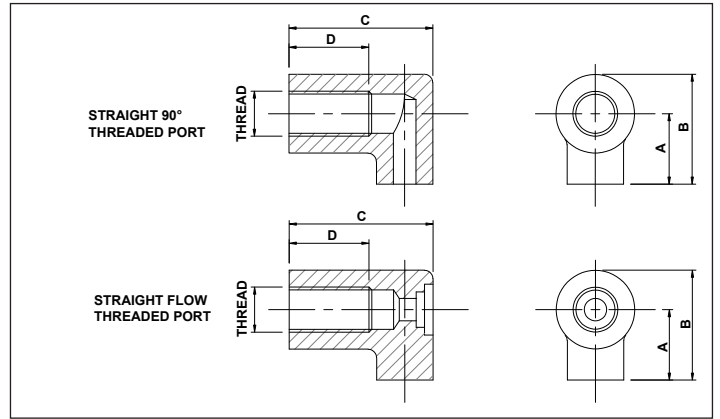


## 90° THREADED PORTS FOR CYLINDERS



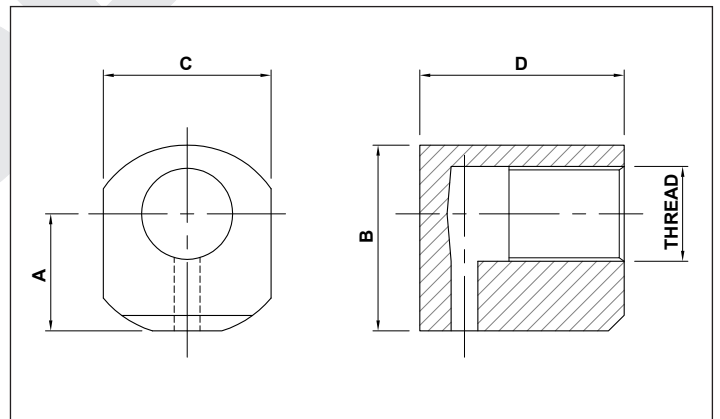
|                     |                   |             |              |                      |
|---------------------|-------------------|-------------|--------------|----------------------|
| THREADED PORT<br>TP | BSP THREAD<br>025 | ANGLE<br>90 | FEMALE<br>FM | STRAIGHT FLOW<br>STF |
|---------------------|-------------------|-------------|--------------|----------------------|

| PART NUMBER     | A  | B  | C  | D  | BSP THREAD |
|-----------------|----|----|----|----|------------|
| TP025-90-FM     | 25 | 39 | 51 | 30 | 1/4"       |
| TP025-90-FM-STF | 24 | 38 | 52 | 30 | 1/4"       |
| TP037-90-FM     | 25 | 39 | 51 | 30 | 3/8"       |
| TP037-90-FM-STF | 24 | 38 | 52 | 30 | 3/8"       |
| TP050-90-FM     | 25 | 39 | 51 | 33 | 1/2"       |
| TP050-90-FM-STF | 24 | 38 | 52 | 33 | 1/2"       |

DESIGNED TO TAKE OUR RANGE OF BURST VALVES

MATERIAL : STEEL ST52.3

## 90° THREADED PORTS SQUARE



|                     |                   |                 |              |
|---------------------|-------------------|-----------------|--------------|
| THREADED PORT<br>TP | BSP THREAD<br>025 | 90 DEGREE<br>90 | SQUARE<br>SQ |
|---------------------|-------------------|-----------------|--------------|

| PART NUMBER | A  | B  | C  | D  | BSP THREAD |
|-------------|----|----|----|----|------------|
| TP025-90-SQ | 15 | 28 | 25 | 35 | 1/4"       |
| TP037-90-SQ | 19 | 33 | 30 | 38 | 3/8"       |
| TP050-90-SQ | 23 | 38 | 35 | 48 | 1/2"       |

DESIGNED TO TAKE OUR RANGE OF BURST VALVES

MATERIAL : STEEL 9SMN28