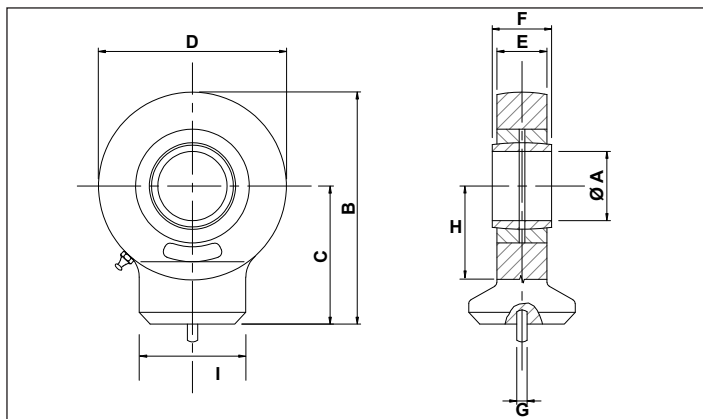


BALL JOINT ENDS OTS ** AR



PART NUMBER	Ø A	B	C	D	E	F	G	H	I	BEARING FITTED	OUTSIDE DIAMETER OF BEARING	LOAD FACTOR (KN)	
												STATIC	DYNAMIC
OTS10AR*	10	38.5	24	29	6.5	9	3	14	15	OGE010DO	19	15.6	8.15
OTS12AR	12	44	27	36	8	10	3	18	17.5	OGE012DO	22	21.6	10.8
OTS15AR	15	51	31	40	10	12	4	20	21	OGE015DO	26	32	17
OTS16AR	16	58	35	47	11	14	4	23	24	OGE016DO	30	40	21.2
OTS17AR	17	58	35	47	11	14	4	23	24	OGE017DO	30	40	21.2
OTS20AR	20	64.5	38	53	13	16	4	27.5	27.5	OGE020DO	35	54	30
OTS25AR	25	77	45	64	17	20	4	33	33.5	OGE025DO	42	72	48
OTS30AR	30	87.5	51	73	19	22	4	37.5	40	OGE030DO	47	95	62
OTS35AR	35	102	61	82	21	25	4	43	47	OGE035DO	55	125	80
OTS40AR	40	115	69	92	23	28	4	48	52	OGE040DO	62	156	100
OTS45AR	45	128	77	102	27	32	6	52	58	OGE045DO	68	208	127
OTS50AR	50	144	88	112	30	35	6	59	62	OGE050DO	75	250	156
OTS60AR	60	168	100	137	38	44	6	72.5	70	OGE060DO	90	390	245
OTS70AR	70	195	115	161	42	49	6	86	80	OGE070DO	105	510	315
OTS80AR	80	231	141	180	47	55	6	98	95	OGE080DO	120	620	400

* WITHOUT GREASE NIPPLE

ISO 12240-1-SERIES E TYPE S : COUPLING : STEEL / STEEL : BALL JOINT MADE IN FORGED STEEL. 52.3