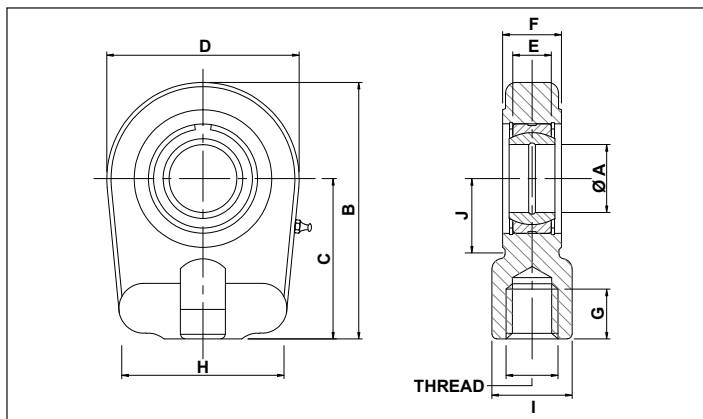


BALL JOINT ENDS OTSTA ** N



PART NUMBER	Ø A	B	C	D	E	F	G	H	I	J	THREAD	BEARING FITTED	OUTSIDE DIAMETER OF BEARING	INTERNAL LOAD FACTOR (KN)		
														CIRCLIP	STATIC	DYNAMIC
OTSTA20N	20	80	50	56	16	19	17	46	25	28	16 X 1.5	OGE020DO	35	CI35	72	30
OTSTA25N	25	80	50	56	20	23	17	46	25	28	16 X 1.5	OGE025DO	42	CI42	72	48
OTSTA30N	30	94	60	64	22	28	23	50	32	30	22 X 1.5	OGE030DO	47	CI47	106	62
OTSTA35N	35	112	70	78	25	30	29	66	40	38	28 X 1.5	OGE035DO	55	CI55	153	80
OTSTA40N	40	135	85	94	28	35	36	76	49	45	35 X 1.5	OGE040DO	62	CI62	250	100
OTSTA50N	50	168	105	116	35	40	46	90	61	55	45 X 1.5	OGE050DO	75	CI75	365	156
OTSTA60N	60	200	130	130	44	50	59	120	75	65	58 X 1.5	OGE060DO	90	CI90	400	245
OTSTA70N	70	232	150	157	49	55	66	130	86	75	65 X 1.5	OGE070DO	105	CI105	540	315
OTSTA80N	80	265	170	178	55	60	81	160	102	80	80 X 2	OGE080DO	120	CI120	670	400
OTSTA90N	90	323	210	210	60	65	101	180	124	90	100 X 2	OGE090DO	130	CI130	980	490
OTSTA100N	100	360	235	234	70	70	111	200	138	105	110 X 2	OGE100DO	150	CI150	1120	610
OTSTA110N	110	408	265	270	70	80	125	220	152	115	120 X 3	OGE110DO	160	CI160	1700	655
OTSTA120N	120	490	310	342	85	90	135	300	172	140	130 X 3	OGE120DO	180	CI180	2900	950

ISO 12240-1-SERIES E : COUPLING : STEEL /STEEL : BALL JOINT MADE IN FORGED STEEL C 45