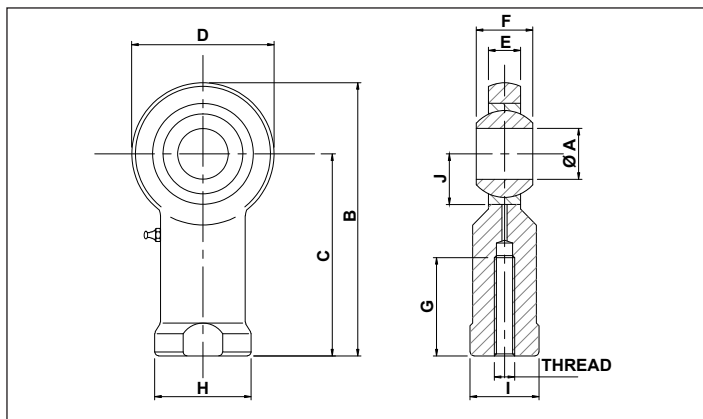


BALL JOINT ENDS OEFPB WITHOUT SEALS



PART NUMBER	Ø A	B	C	D	E	F	G	H	I	J	THREAD	LOCK NUT SIZE	LOAD FACTOR (KN)	
													STATIC	DYNAMIC
OEFPB05	5	35	27	16	7	8	8	12	9	8	5 x 0.8	LN0503	4.1	3.3
OEFPB06	6	39	30	18	7	9	9	13	11	9	6 x 1	LN0603	5.3	4.3
OEFPB08	8	47	36	22	9	12	12	16	14	11	8 x 1.25	LN0804	9.2	6.8
OEFPB10	10	56	43	26	11	14	15	19	17	13	10 x 1.5	LN1005	12	10
OEFPB12	12	65	50	30	12	16	18	22	19	15	12 x 1.75	LN1206	17	13
OEFPB14	14	74	57	34	14	19	21	25	22	17	14 x 2	LN1408	22	17
OEFPB16	16	83	64	38	15	21	24	27	22	19	16 x 2	LN1608	28	21
OEFPB16-LH	16	83	64	38	15	21	24	27	22	19	16 x 2 LH		28	21
OEFPB18	18	92	71	42	17	23	27	31	27	21	18 x 1.5	LN1809	34	26
OEFPB20	20	100	77	46	18	25	30	37	30	23	20 x 1.5	LN2008	40	31
OEFPB22	22	109	84	50	20	28	33	37	32	25	22 x 1.5	LN2210	50	38
OEFPB25	25	124	94	56	22	31	36	42	36	28	24 x 2	LN2410	63	47
OEFPB28	28	136	103	66	25	35	41	46	41	33	27 x 2	LN2712	81	59
OEFPB30	30	145	110	67	26	37	45	50	41	34	30 x 2	LN3012	86	63

ISO12240-4-SERIES K ISO6126 : COUPLING : STEEL / BRONZE : BALL JOINT END MADE IN GALVANISED FORGED STEEL C 45
LH : DENOTES LEFT HAND THREAD